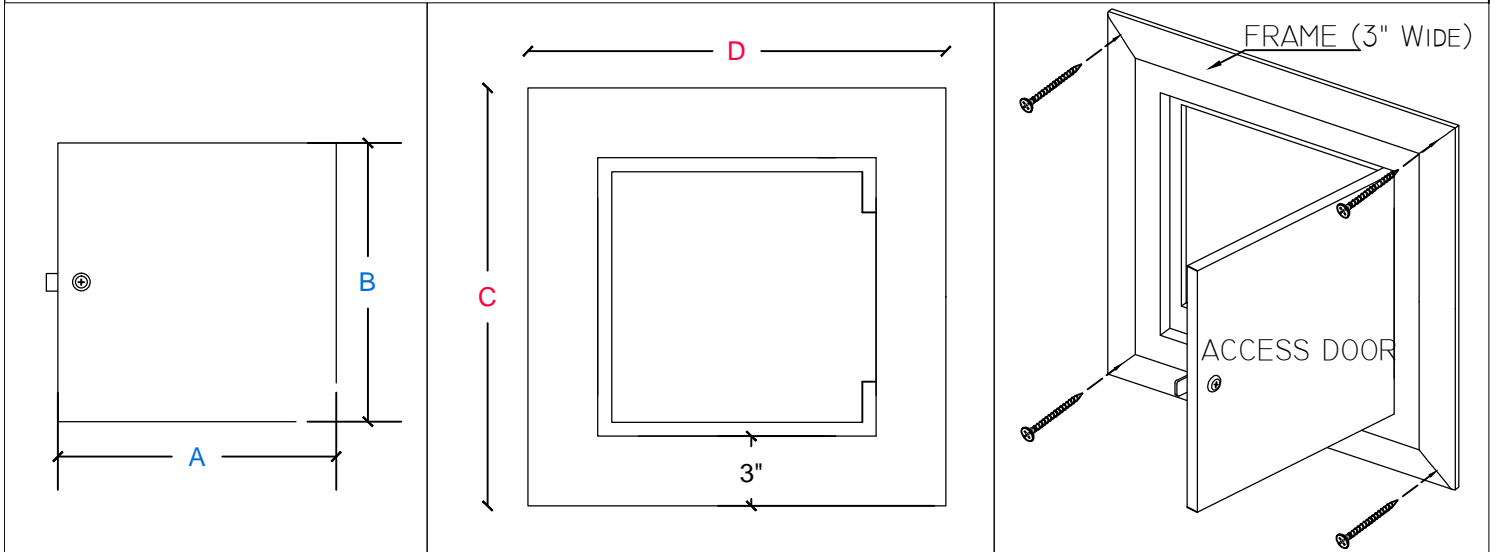


Hinged Access Panel Square Door Corners

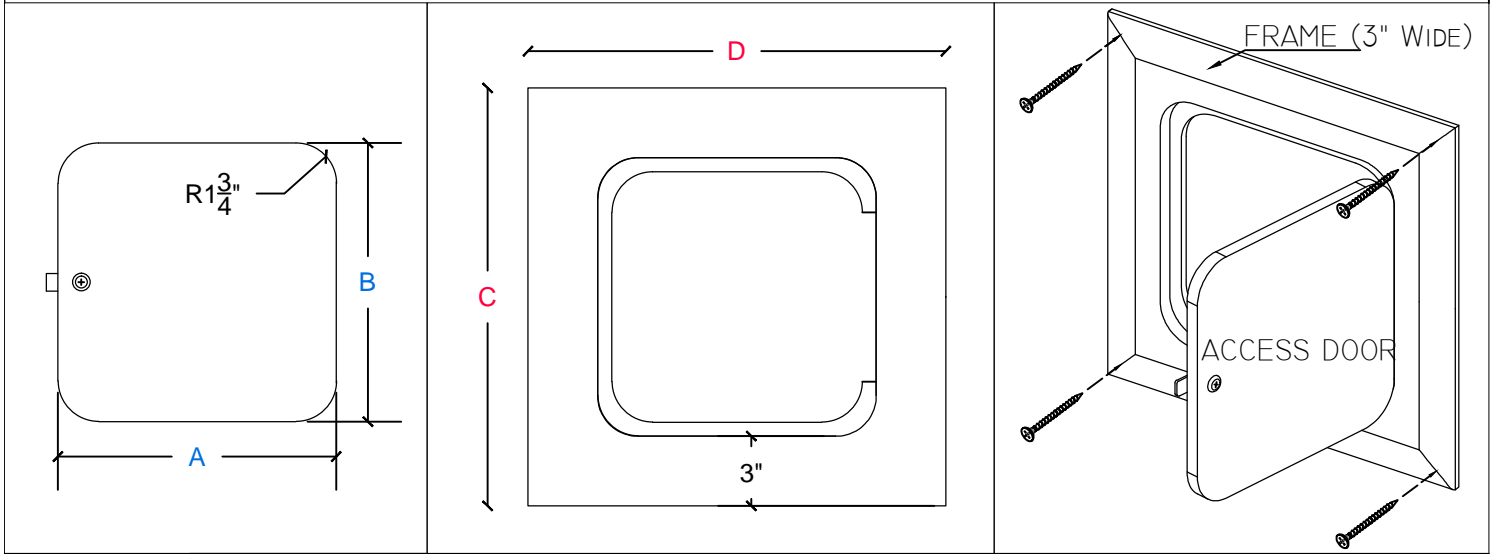


PART #	DOOR OPENING		CENTER OF FRAMING		WEIGHT
	A	B	C	D	
APS6X6H	6"	6"	12"	12"	2.5 lbs.
APS8X8H	8"	8"	14"	14"	3 lbs.
APS9X9H	9"	9"	15"	15"	4 lbs.
APS10X10H	10"	10"	16"	16"	4.5 lbs.
APS12X12H	12"	12"	18"	18"	5.75 lbs.
APS14X14H	14"	14"	20"	20"	7 lbs.
APS16X16H	16"	16"	22"	22"	8.5 lbs.
APS18X18H	18"	18"	24"	24"	10 lbs.
APS20X20H	20"	20"	26"	26"	12 lbs.
APS24X24H	24"	24"	30"	30"	15.5 lbs.
APS30X30H	30"	30"	36"	36"	22.5 lbs
APS36X36H	36"	36"	42"	42"	30.75 lbs
APS42X42H	42"	42"	48"	48"	40 lbs
APS48X48H	48"	48"	52"	52"	44 lbs

LOCK OPTIONS	Lock & Key	Slotted	Magnetic
--------------	------------	---------	----------



Hinged Access Panel Radius Door Corners



PART #	DOOR OPENING		CENTER OF FRAMING		WEIGHT
	A	B	C	D	
APR6X6H	6"	6"	12"	12"	2.5 lbs.
APR8X8H	8"	8"	14"	14"	3 lbs.
APR9X9H	9"	9"	15"	15"	4 lbs.
APR10X10H	10"	10"	16"	16"	4.5 lbs.
APR12X12H	12"	12"	18"	18"	5.75 lbs.
APR14X14H	14"	14"	20"	20"	7 lbs.
APR16X16H	16"	16"	22"	22"	8.5 lbs.
APR18X18H	18"	18"	24"	24"	10 lbs.
APR20X20H	20"	20"	26"	26"	12 lbs.
APR24X24H	24"	24"	30"	30"	15.5 lbs.
APR30X30H	30"	30"	36"	36"	22.5 lbs
APR36X36H	36"	36"	42"	42"	30.75 lbs
APR42X42H	42"	42"	48"	48"	40 lbs
APR48X48H	48"	48"	52"	52"	44 lbs

LOCK OPTIONS	Lock & Key	Slotted	Magnetic
--------------	------------	---------	----------



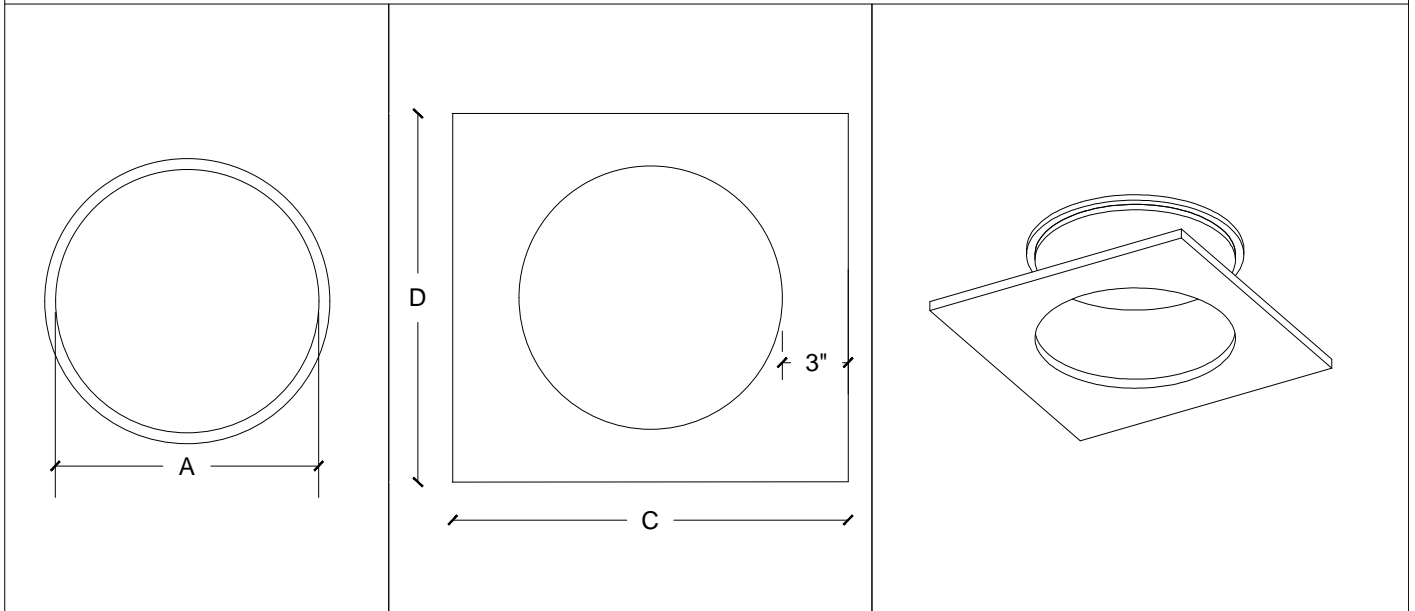


Custom Glassfiber Reinforced Products

9293 BEATTY DR., SACRAMENTO, CA 95826

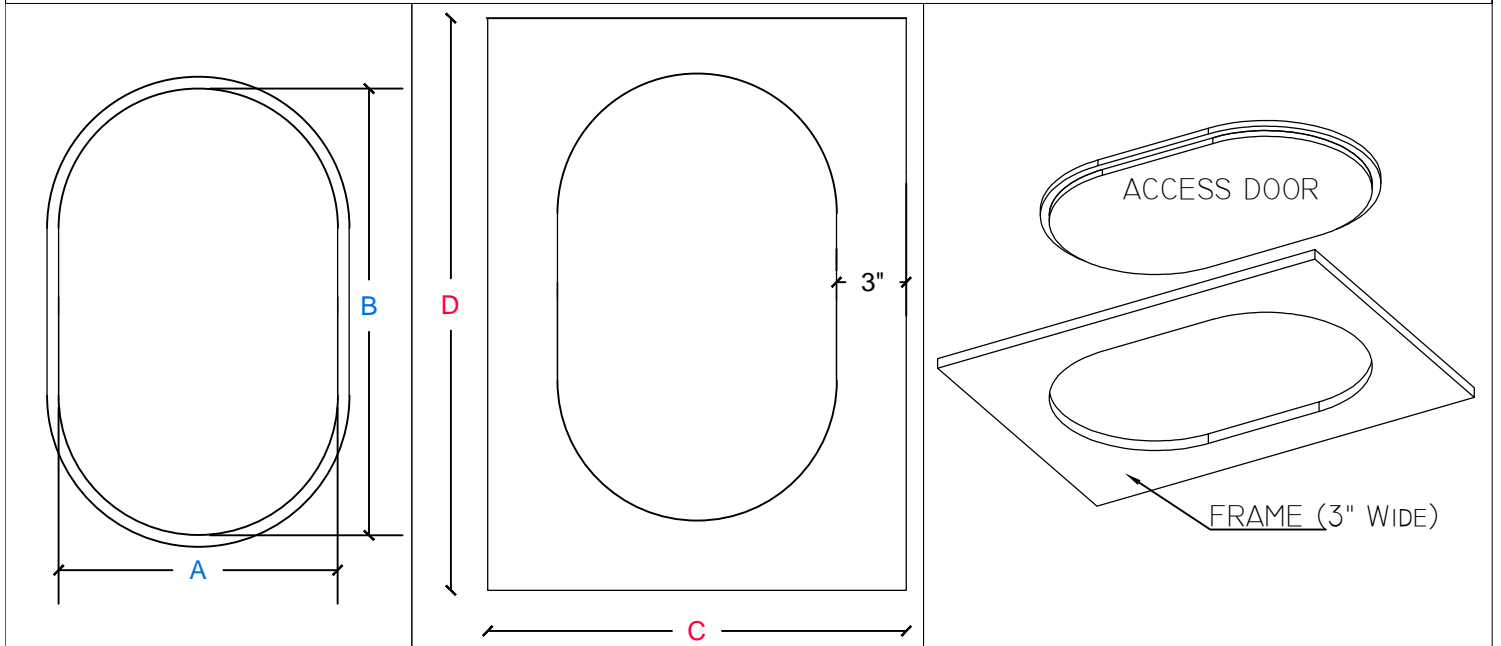
TEL: (916) 388-9933 FAX: (916) 388-9949

Lift & Shift Access Panel Oval Door



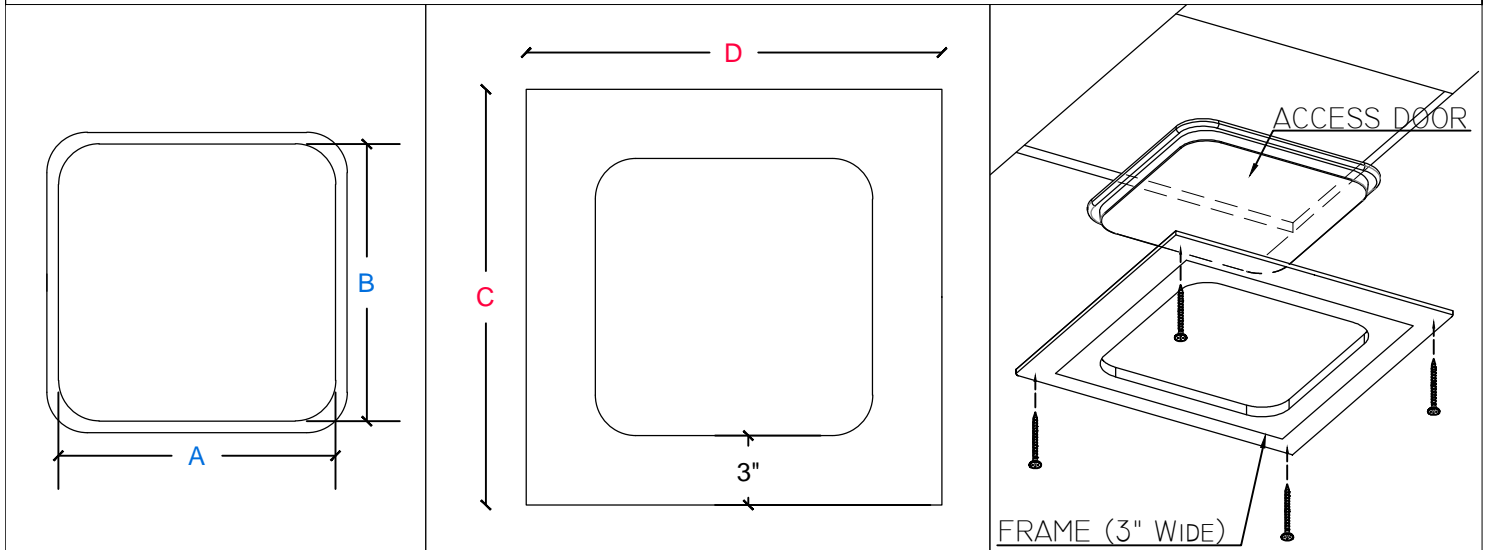
PART #	DOOR OPENING	CENTER OF FRAMING		WEIGHT
	A	C	D	
APR12	10"	16"	26"	2.5 lbs.
APR16	12"	18"	30"	3 lbs.
APR20	14"	20"	34"	4 lbs.
APR24	16"	22"	38"	4.5 lbs.

Lift & Shift Access Panel Oval Door



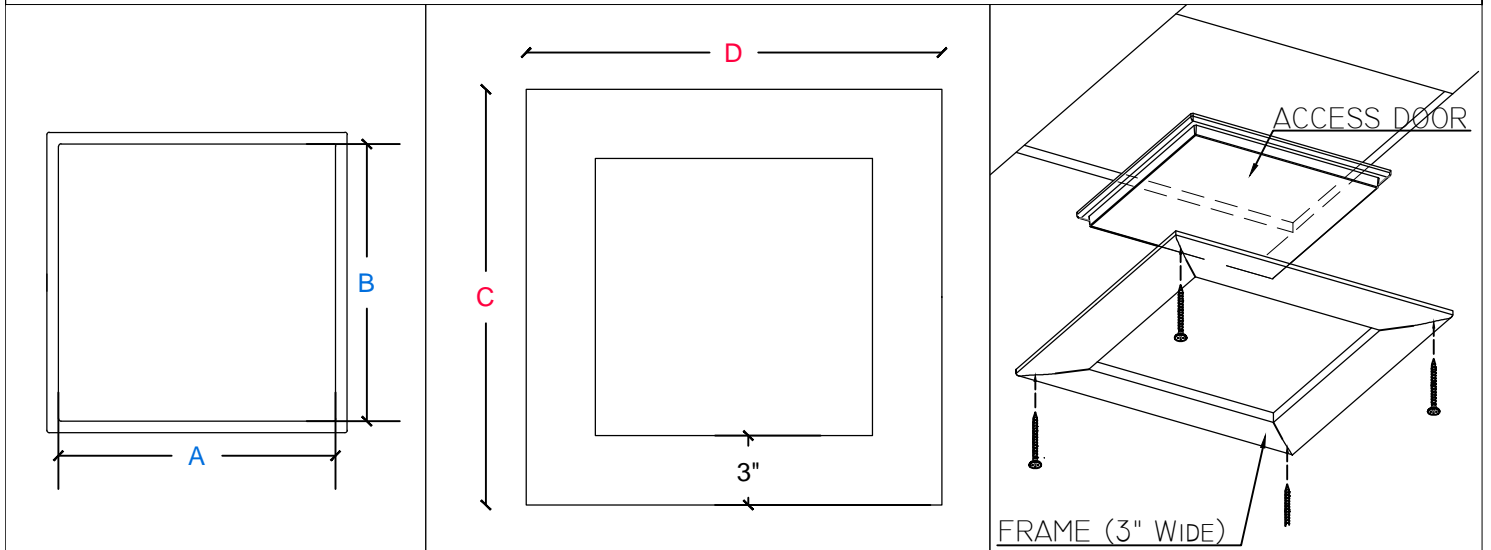
PART #	DOOR OPENING		CENTER OF FRAMING		WEIGHT
	A	B	C	D	
APO10X20H	10"	20"	16"	26"	2.5 lbs.
APO12X24H	12"	24"	18"	30"	3 lbs.
APO14X28H	14"	28"	20"	34"	4 lbs.
APO16X32H	16"	32"	22"	38"	4.5 lbs.
APO18X36H	18"	36"	24"	42"	5.75 lbs.
APO24X48H	24"	48"	30"	54"	7 lbs.

Lift & Shift Panel Radius Door Corners



PART #	DOOR OPENING		CENTER OF FRAMING		WEIGHT
	A	B	C	D	
APR6X6	6"	6"	12"	12"	2.5 lbs.
APR8X8	8"	8"	14"	14"	3 lbs.
APR9X9	9"	9"	15"	15"	4 lbs.
APR10X10	10"	10"	16"	16"	4.5 lbs.
APR12X12	12"	12"	18"	18"	5.75 lbs.
APR14X14	14"	14"	20"	20"	7 lbs.
APR16X16	16"	16"	22"	22"	8.5 lbs.
APR18X18	18"	18"	24"	24"	10 lbs.
APR20X20	20"	20"	26"	26"	12 lbs.
APR24X24	24"	24"	30"	30"	15.5 lbs.
APR30X30	30"	30"	36"	36"	22.5 lbs
APR36X36	36"	36"	42"	42"	30.75 lbs
APR42X42	42"	42"	48"	48"	40 lbs
APR48X48	48"	48"	52"	52"	44 lbs

Lift & Shift Access Panel Square Door Corners



PART #	DOOR OPENING		CENTER OF FRAMING		WEIGHT
	A	B	C	D	
APS6X6	6"	6"	12"	12"	2.5 lbs.
APS8X8	8"	8"	14"	14"	3 lbs.
APS9X9	9"	9"	15"	15"	4 lbs.
APS10X10	10"	10"	16"	16"	4.5 lbs.
APS12X12	12"	12"	18"	18"	5.75 lbs.
APS14X14	14"	14"	20"	20"	7 lbs.
APS16X16	16"	16"	22"	22"	8.5 lbs.
APS18X18	18"	18"	24"	24"	10 lbs.
APS20X20	20"	20"	26"	26"	12 lbs.
APS24X24	24"	24"	30"	30"	15.5 lbs.
APS30X30	30"	30"	36"	36"	22.5 lbs
APS36X36	36"	36"	42"	42"	30.75 lbs
APS42X42	42"	42"	48"	48"	40 lbs
APS48X48	48"	48"	52"	52"	44 lbs